



visit us

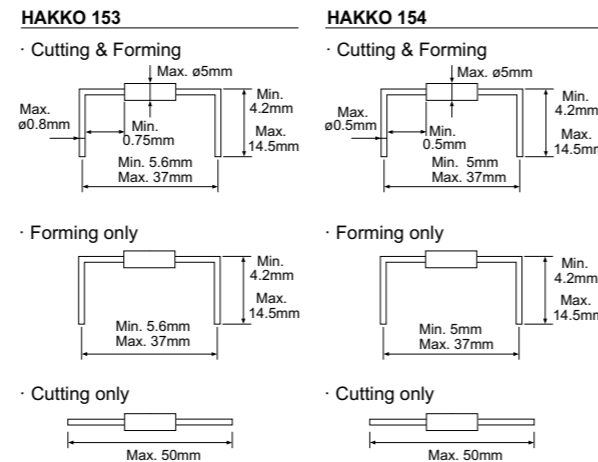
HAKKO 153-154

LEAD FORMER



Cutting and forming for tape-type axial components

- Easy to use—simply set the taped components in place and turn the handle. Ideal for processing tape-type components.
- Improved, longer-life cutting blade for a clean, smooth cut.
- Sealed bearings for longer service life and greater durability and efficiency.
- Can be used for forming and cutting, forming only, or cutting only.



Specifications

Part No.	153-1	154-1
Forming Size	5.6mm Pitch	5mm Pitch
Max. Diameter of Lead*	ø0.8mm	ø0.5mm
Compatible Taping Dimension	Outer Width of Tape	Max. 85mm
	Pitch	5mm
Dimensions	125(W) x 130(H) x 110(D)mm	
Weight	2kg	

⚠ CAUTION * For annealed copper lead only.

* Combination with HAKKO 153.
* The HAKKO 153 is not included with the HAKKO 152B.

Specifications

Model No.	152B	
Rotary	28rpm (50Hz), 34rpm (60Hz)	
Max. Processing Capacity	36,000 pcs/hr	18,000 pcs/hr
	(w/HAKKO 153, 154)	(w/HAKKO 155)
Dimensions	430(W) x 150(H) x 140(D)mm	
Weight (w/o cord)	5.6kg	

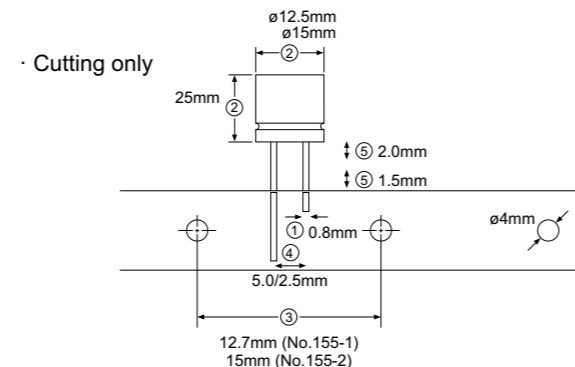
HAKKO 155

LEAD CUTTER



Cutting for tape-type radial components

- Easy to use—simply set the taped components in place and turn the handle. The super-sharp, high quality cutting blade allows you to cut all types of tape-type radial parts, including resistors, capacitors, transistors, etc. cleanly and smoothly. Continuous operation ensures faster, more efficient processing.
- Sealed bearings make it long-lasting, durable and efficient.
- The compact design allows you to place it virtually anywhere.



Specifications

Part No.	155-1	155-2
① Max. Diameter of Lead Wire	ø0.8mm	
② Max. Processing Part Size	ø12.5mm~25mm	ø15mm~25mm
③ Feed Hole Pitch	12.7mm	15mm
④ Lead Pitch	2.5mm*, 5.0mm	5.0mm
⑤ Min. Processing Size	1.5mm from taping end	2.0mm from part end
Dimensions	125(W) x 110(H) x 140(D)mm	
Weight	1.7kg	

* When processing a part with a lead pitch of 2.5mm, be sure to adjust the cutting wheel. Parts with a pitch of 2.5mm can be processed only on the No.155-1.

Automatic cutting and forming

Constant-torque drive ensures uniform processing quality.
Processes up to 36,000 pieces per hour when used with the HAKKO 153.154, up to 18,000 pieces per hour with the HAKKO 155.
Speed control knob permits adjustment of the processing speed.

Low-cost, high-performance tool for reforming IC and LSI leads.
Speeds IC and LSI insertion.
No more broken leads during IC and LSI insertion or transportation.
Simply insert the IC case into the Dipliner chute, and the leads are protected right through circuit board insertion.
Adjustable lead former fits all types, sizes and makes of ICs and LSIs.
Simple mechanism for maintenance-free operation.

Specifications

Model No.	Width of IC	Number of IC Leads
FT100	7.5mm	8, 14, 16, 18, 20
FT150	10mm	22
FT200	15mm	24, 28, 40, 42
FT300	19mm	64