

Compact and Lower cost

# iCROSS

TX-i444S TX-i224S

- Operation area reserves wide space in spite of compact size, so it can also correspond to M-size board.
- In spite machine cost being comparatively low, these models are capable not only of point soldering but also of slide soldering.
- By using high-precision ball screw and a servo controlled motor realizes high repetition accuracy and loss of synchronism.
- A soldering controller, **iMPAC III** is easy to operate and permits from 1st to 3rd wire solder feeding amount, feeding speed and heating time to be set up.
- Equipped with high-power heater (150W) makes the soldering of high heat capacity work-piece easily.
- 3-axis model is also available.

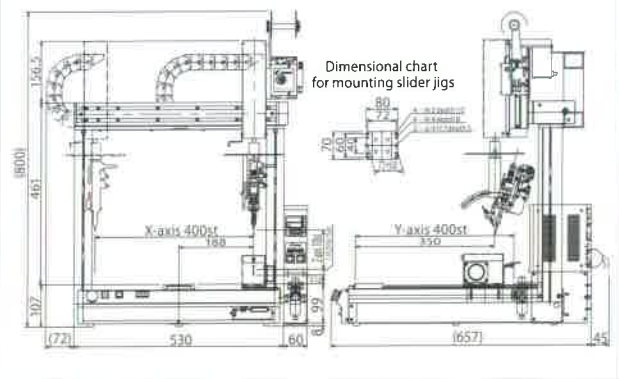
## TX-i444S



## TX-i224S



Dimension (TX-i444S)



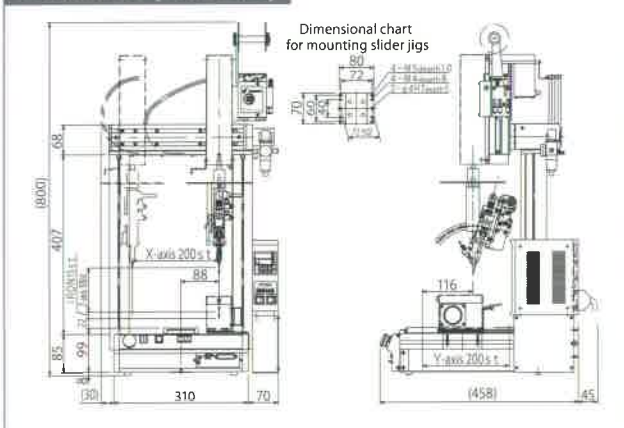
### Monitoring function with PC is available.

The following display is available after connecting with **TSCO W:i-n-i** as support tool.

- Status of **iMPAC III** display
- Edit and save of soldering condition
- Operation chart of **iMPAC III**
- Tip Temperature Chart



Dimension (TX-i224S)



Power requirement	AC100V ±10% 50/60Hz 1.0KVA	
Working ambient temperature	0~40°C (No condensation, No corrosive gas)	
Air requirement	0.4~0.5MPa (Dry air)	
Operating method / number of control axes	PTP-control / 4 axis in total (simultaneous 3 axes linear and circular interpolation)	
Model No.	TX-i224S	TX-i444S
Performance of each axis	Stroke / Repeatability / Max speed	Stroke / Repeatability / Max speed
X-axis	200mm / ±0.02mm / 300mm/S	400mm / ±0.02mm / 600mm/S
Y-axis	200mm / ±0.02mm / 300mm/S	400mm / ±0.02mm / 600mm/S
Z-axis	100mm / ±0.02mm / 150mm/S	100mm / ±0.02mm / 300mm/S
R-axis	360° / ±0.2° / 360°/S	360° / ±0.2° / 360°/S
No. of Program	48 programs	
Data storage capacity	6,000 program steps / 3,000 positions in total	
Soldering conditions	31	
Soldering operation	Point and simple slide soldering	
Weight	24kg	45kg